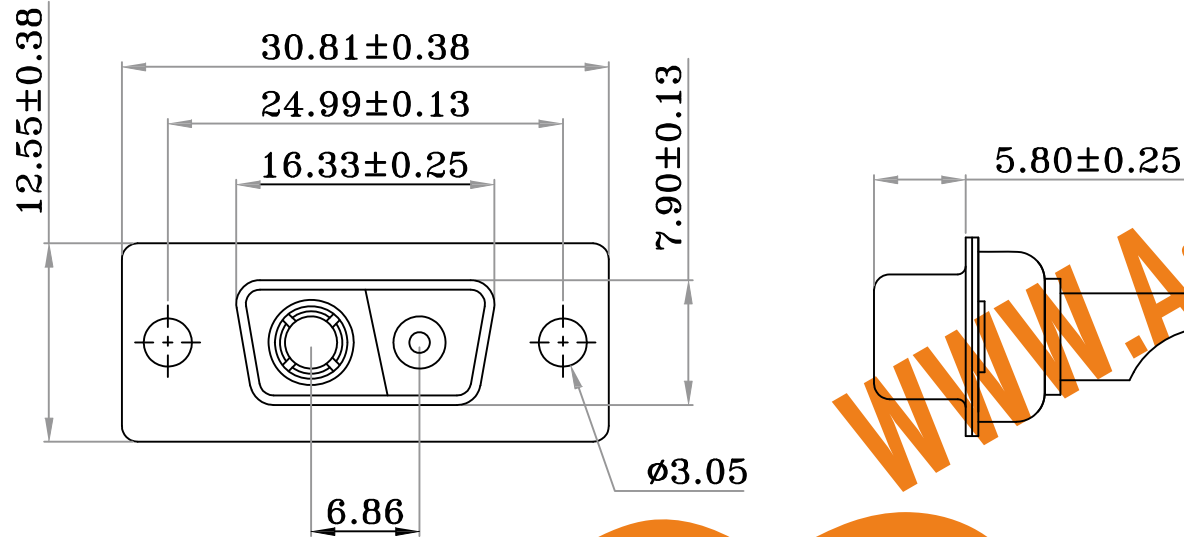


POWER D-SUB 2V2 SOLDER CUP-FEMALE

ROHS COMPLIANT



SPECIFICATIONS:

ELECTRICAL:

INSULATOR RESISTANCE: 5,000 MegOHMS Min.
 DIELECTRIC WITHSTANDING: 1,000 VAC r. m. s.
 OPERATING TEMPERATURE: $-55^{\circ}\text{C} \sim +125^{\circ}\text{C}$
 CONTACT RESISTANCE: 30 MILLIOHMS Max.
 POWER PINS: SEE PART No. BELOW

MECHANICAL:

CONTACT INSERTION FORCE: 4.5kg Max
 CONTACT SEPARATOR FORCE: 0.3kg Min
 MATERIALS:
 CONTACTS: BRASS
 INSULATOR: PBT UL94V-0 RATED, 230°C PROCESS TEMP.

SHELL:

STEEL

FINISH:

SHELL:

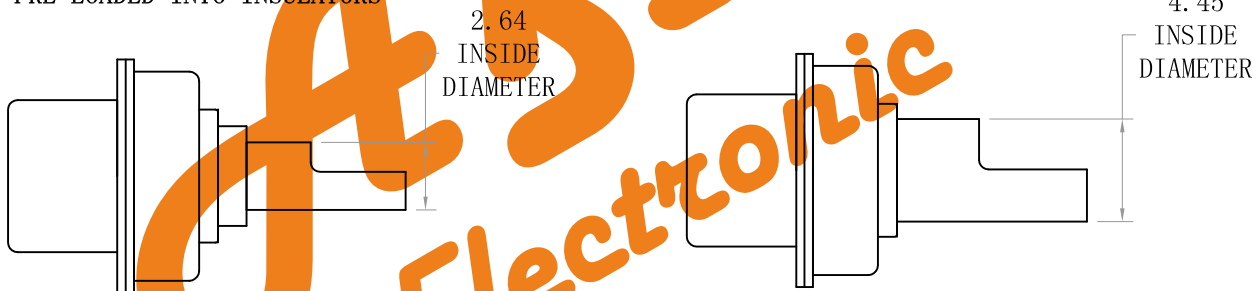
NICKEL

Ordering Code:

PDB2V2	-F	-G0	-B	-20	-00
①	②	③	④	⑤	⑥



- ① Series
- ② Contact Type:
M:Male F:Female
- ③ Contact NO. :
G0: Gold flash G1: 3u" Gold
G2: 5u" Gold G3: 10u" Gold
G4: 15u" Gold G5: 30u" Gold
- ④ Insulation Color Code:
B:Black L:Blue
W:White
- ⑤ Power AMP:
10 = 10AMPS; 20 = 20AMPS;
30 = 30AMPS; 40 = 40AMPS;
- ⑥ Series no

NOTE:
POWER CONTACTS COME
PRE-LOADED INTO INSULATORS



20 AMP POWER CONTACTS
ACCEPTS UP TO 12 AWG WIRE

40 AMP POWER CONTACTS
ACCEPTS UP TO 8 AWG WIRE

Unless Otherwise specified tolerance		 WWW.AsA-Elec.com AsA Electronic Co. Tel : (+98) 21 66 73 56 82 Mob : (+98) 912 03 161 02
X. \pm 0.35 X.X. \pm 0.25 X.XX. \pm 0.20 X.XXX. \pm 0.15		
SCALE: 1:1	UNIT: mm	
DRAWN: junfon H		TITLE: POWER D-SUB 2V2 SOLDER CUP-FEMALE
CHECKED: YANG		
 3rd ANGLE PROJECTION		DRAWING NO: PDB2V2-FXXXXX00
		PRODUCT NO: PDB2V2-FXXXXX00

REV	Add option of plating	12/7/17
1	DESCRIPTION	DATE